

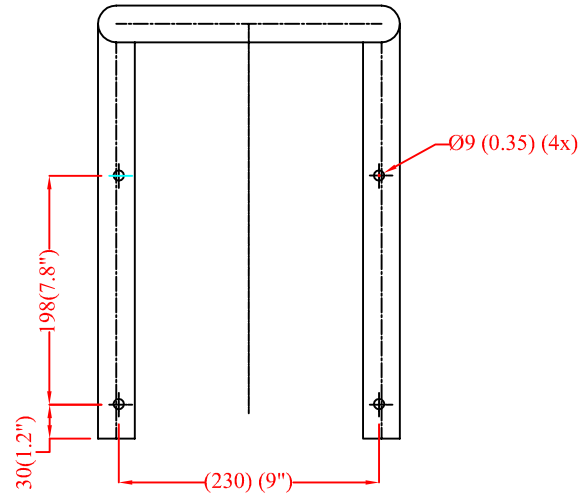
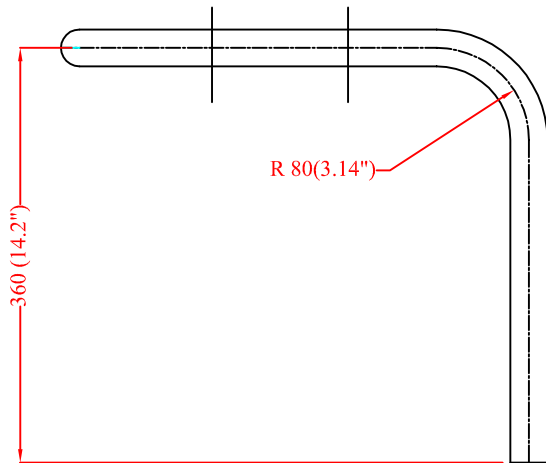
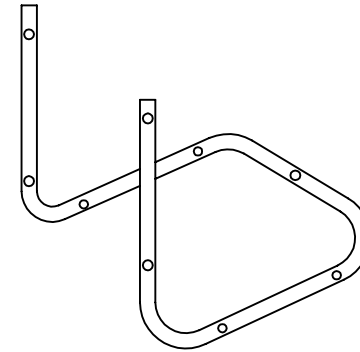
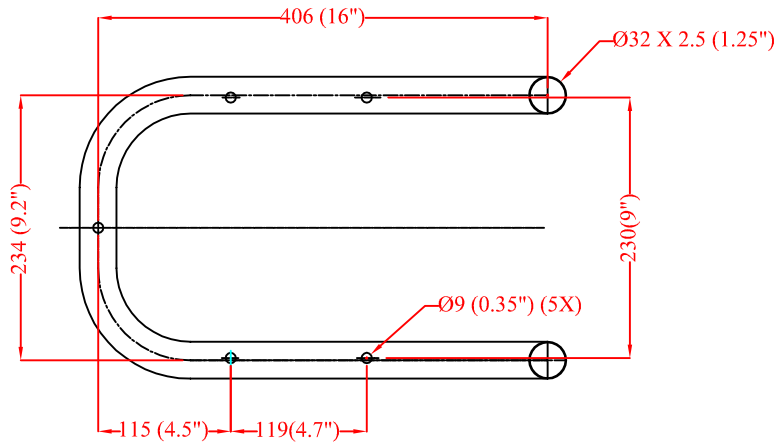
# ***Nederman***

## **SUBMITTAL DRAWING**



TMS Johnson, Inc. | 763-544-5442 | [www.tmsj.com](http://www.tmsj.com)  
Twin Cities: 2908 Nevada Ave N, New Hope, MN 55427  
Rochester: 3270 19th St NW, Suite 210, Rochester, MN 55901

# Wall Bracket Standard ( WB ) for Original Arm



JOB NAME:	DATE: Apr: 2010	DWG.BY: D.Patel	DWG.#: 10550635
ENGINEER:	<b>NEDERMAN CANADA LIMITED</b> 5775 McLaughlin Road, MISSISSAUGA, ON, L5R 3P7 TEL: (905)366-2200 FAX:(905)366-2206 WWW.NEDERMAN.COM		
CUSTOMER:			